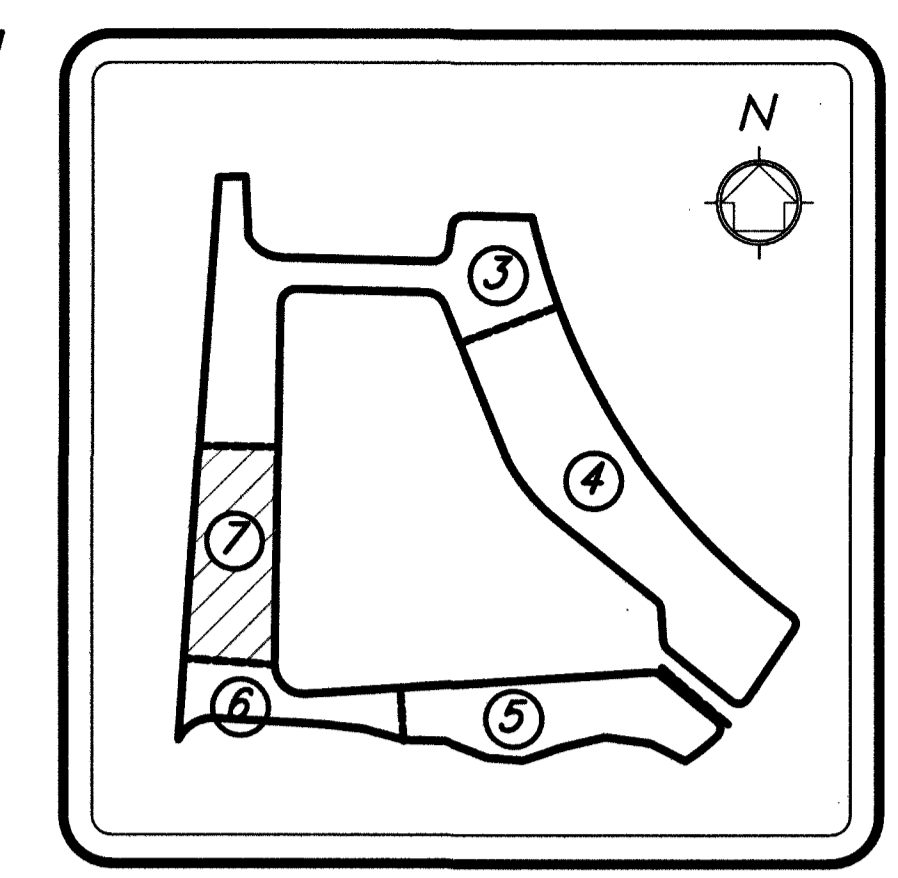
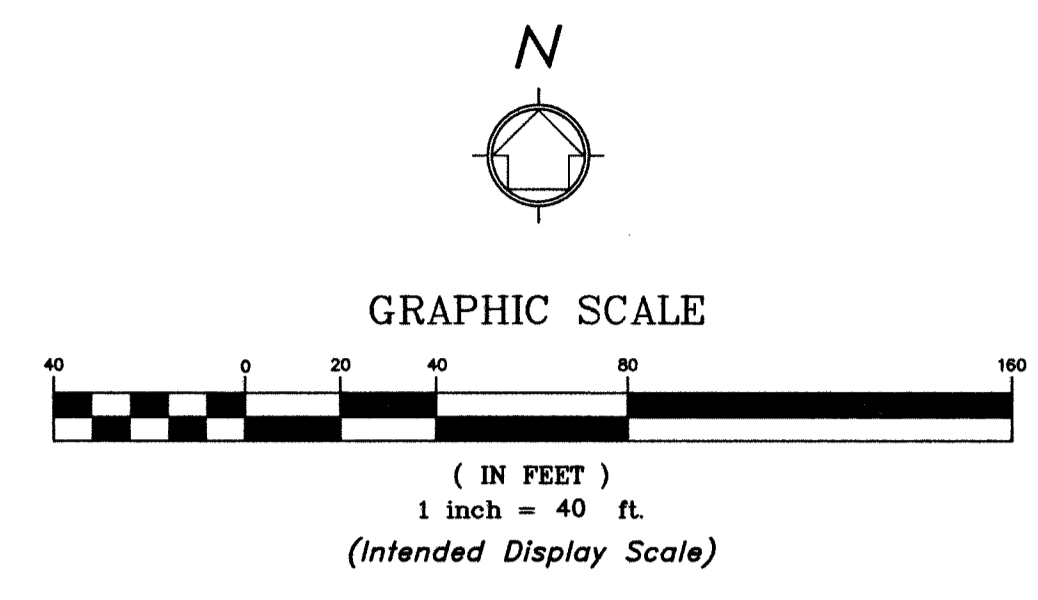
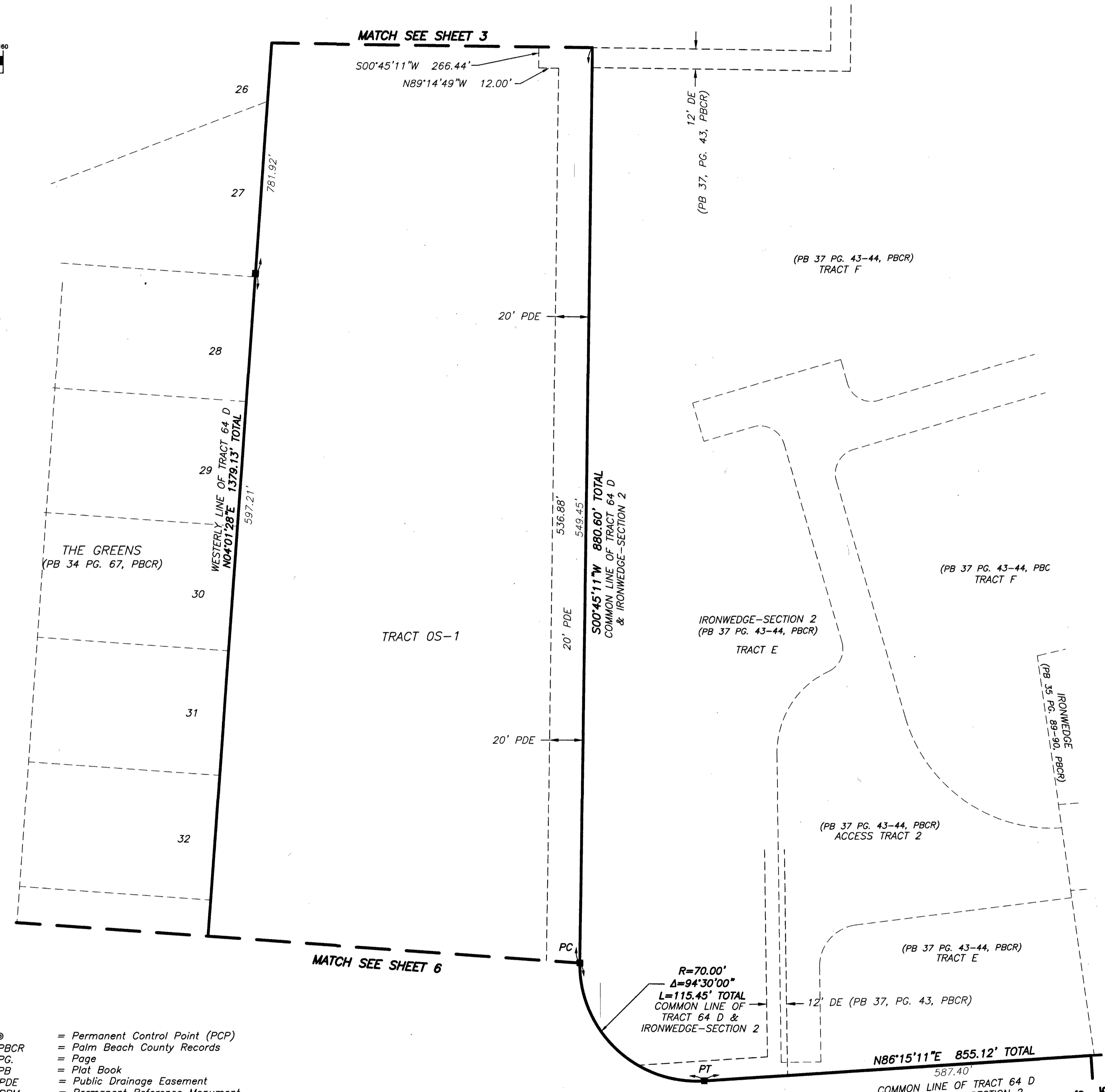


BOCA DEL MAR PUD - COPPER COVE AT MIZNER VILLAGE

BEING A REPLAT OF A PORTION OF TRACT 64 D AND 69 A, BOCA DEL MAR NO. 7 PUD, PLAT BOOK 30, PAGES 210 THROUGH 217 INCLUSIVE OF THE PUBLIC RECORDS, PALM BEACH COUNTY, FLORIDA. LYING AND SITUATE IN SECTION 26 & 27, TOWNSHIP 47 SOUTH, RANGE 42 EAST, PALM BEACH COUNTY, FLORIDA.



SHEET 7 OF 7 SHEETS



- LEGEND**
- | | | | |
|-------|------------------------------------|--------|---|
| BE | = Buffer | PCP | = Permanent Control Point (PCP) |
| C/L | = Center Line | PBCR | = Palm Beach County Records |
| CCR | = Certified Corner Record | PG. | = Page |
| CONC. | = Concrete | PB | = Plat Book |
| CB | = Cord Bearing | PDE | = Public Drainage Easement |
| CD | = Cord Distance | PRM | = Permanent Reference Monument |
| Δ | = Delta (Central Angle) | PUD | = Planned Unit Development |
| DE | = Drainage Easement | PT | = Point of Tangency |
| FPL | = Florida Power & Light | PC | = Point of Curvature |
| FND. | = Found | PLS | = Professional Land Surveyor |
| LME | = Lake Maintenance Easement | PRC | = Point of Reverse Curvature |
| LMAE | = Lake Maintenance Access Easement | R | = Radius |
| LWDD | = Lake Worth Drainage District | R/W | = Right-of-Way |
| L | = Length of Arc | RFB | = Road Plat Book |
| LB | = Licensed Business | (TYP.) | = Typical |
| NAD | = North American Datum | UE | = Utility Easement |
| NO. | = Number | ■ | = Set 4"x4" Concrete (PRM) W/Aluminum Disc Stamped "LB 7055 PRM" Unless Otherwise Noted |
| NT | = Non Tangent | ● | = Set Nail & Brass Disc Stamped "LB 7055 PRM" Unless Otherwise Noted |
| (NR) | = Non Radial | | |
| ORB | = Official Records Book | | |

NOTE:
COORDINATES SHOWN ARE GRID COORDINATES
DATUM - NAD 83 (1990 ADJUSTMENT)
STATE PLANE FLORIDA EAST ZONE
TRANSVERSE MERCATOR PROJECTION
LINEAR UNIT = U.S. SURVEY FEET
ALL DISTANCES ARE GROUND
SCALE FACTOR = 1.000032176
PLAT BEARING = GRID BEARING
GROUND DISTANCE X SCALE FACTOR = GRID DISTANCE



2035 Vista Parkway, West Palm Beach, FL 33411
Phone No. 866.909.2220 www.wginc.com
Cert No. 6091 - LB No. 7055
THIS INSTRUMENT WAS PREPARED BY KELSEY M. SMITH,
P.S.M., PROFESSIONAL SURVEYOR AND MAPPER,
LICENSE NO. 7096 FOR THE FIRM: WGI, INC.